

MEGA TALK

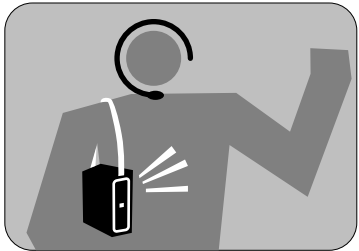
ER-604W

SHOULDER TYPE POWER MEGAPHONE

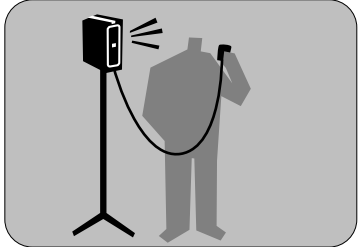


FEATURES

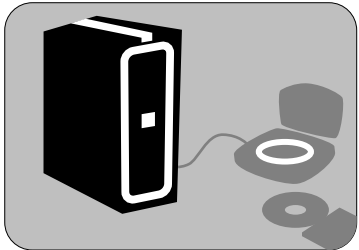
- Compact size and lightweight ensure easy handling for the widest range of people.
- Maximum output power of 10 W.
- Supplied hand-held type microphone equipped with press-to-talk switch and volume control enables easy operation with the unit suspended from the shoulder. The microphone is designed to prevent feedback.
- Combined use of the unit and optional WH-4000A or WH-4000H headset microphone permits total hands-free operation.
- Push-button electronic whistle effectively attracts attention in large gatherings.
- Turning on the External input power switch causes the Battery check indicator to light or flash to indicate the battery voltage status.
- Battery consumption can be minimized by connecting external equipment (to the unit) and turning on Voice Switch.
- The unit easily mounts to TOA's optional ST-16 speaker stand for wider-ranging sound dispersion from its higher position above the ground.



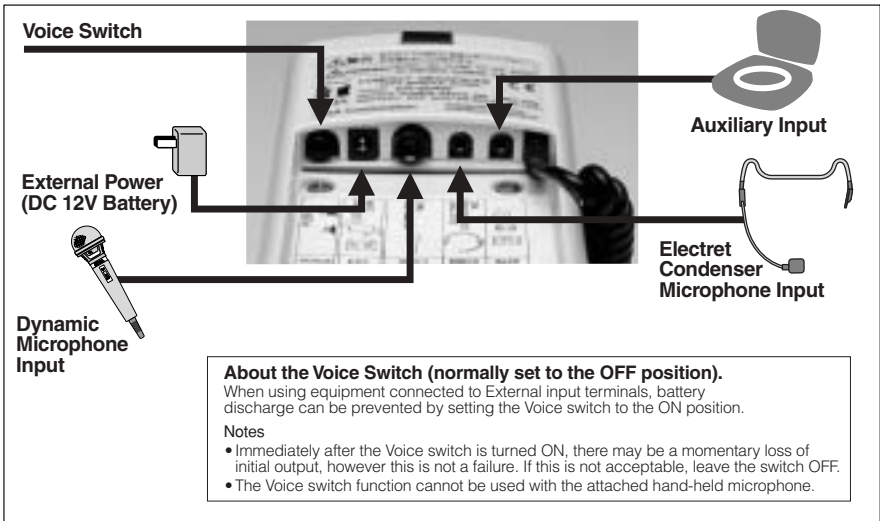
Hands-free microphone operation.



Easy mounting optional stand.



Auxiliary input terminal.



SPECIFICATIONS

ER-604W	
Power Source	LR6 battery*1 x 8 (12 V DC) 12 V DC / 0.8 A or more (AC adapter or DC power supply unit usable.)
Rated Output	6 W
Maximum Output	10 W
Battery Life	Voice: Approx. 20 hours (LR6 alkaline battery use) Whistle: Approx. 90 minutes (continuous use)
Audible Range	Voice: 160 m (under noise level of 55 dB) Whistle: 160 m (under noise level of 55 dB)
Microphone	Close-talking type, press-to-talk switch, volume control, Fixed to the microphone hanger on the unit's top panel.
Signal	Whistle, push switch activation
Input	MIC 1: -40 dB, 1.5 kΩ, ø6.3 mm (1/4") phone jack MIC 2: -18 dB, 3 kΩ, ø3.5 mm mini jack, phantom powering AUX (auxiliary): -12 dB, 18 kΩ, ø3.5 mm mini jack External power supply: 12 V DC Note: MIC 1, 2, and AUX inputs can be used at the same time. However, their individual volume cannot be adjusted as the unit's volume control is common to those inputs.
Other Function	Voice switch (functions to activate the unit with external input signals, and to make the unit in stand-by status with no external signal.) Battery check
Finish	Body, microphone: ABS resin, off-white Shoulder pad, belt: Black
Weight	1.6 kg (without batteries)
Dimensions	102 (w) × 258 (h) × 216 (d) mm (excluding shoulder belt)
Accessories	ø3.5 mini plug...1, External power supply cord (1m)...1
Options	Headset microphone: WH-4000A, WH-4000H Dynamic microphone: DM series Speaker stand: ST-16

* Batteries are optional.

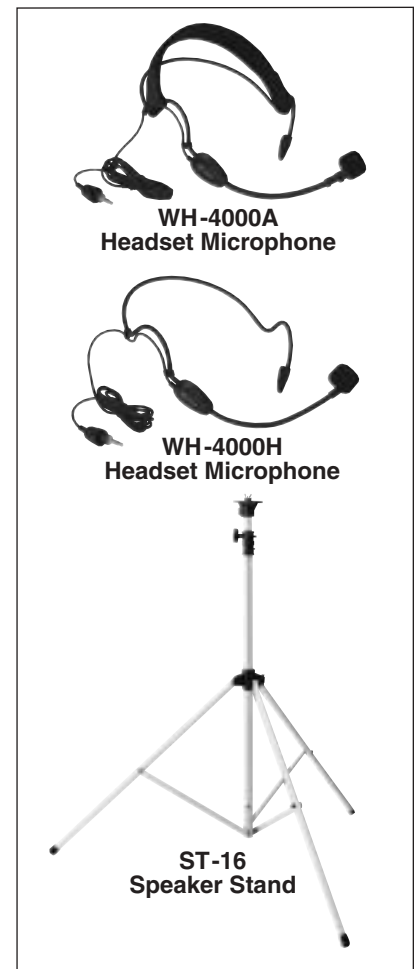
* Do not use the battery from a starting car as its voltage is high, otherwise, the megaphone may fail.

* Battery Life assumes that the megaphone is used for 30 minutes a day.

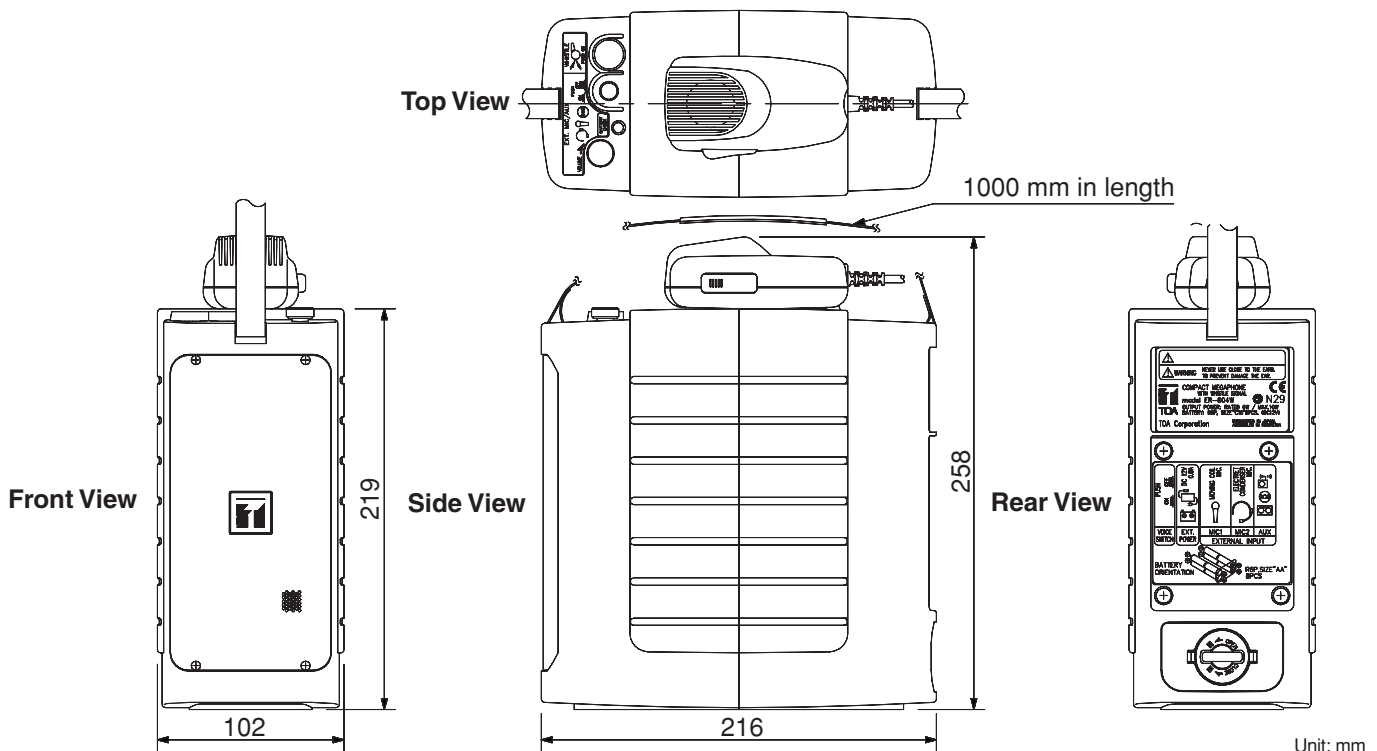
* Audible Range assumes that the megaphone employs new batteries and is used on a quiet street.

It varies depending on such conditions as battery consumption, ambient noise, wind direction and obstacles.

OPTIONS



APPEARANCE AND DIMENSIONAL DIAGRAM



• Sales • Installation • Hire •
Phone: (08) 8365 0377
www.tecsa.com.au



TOA Corporation

URL : <http://www.toa.jp/>

Specifications are subject to change without notice.
Printed in Japan (0201) 833-61-306-80 U